

SINGER
151W6

LIST OF PARTS



MACHINE No. 151w6

THE SINGER MANUFACTURING COMPANY

INDEX

	Page
Accessories	12
Bobbin Winder	12
Knee Lifter	13
Machine No.151w6	5
Numerical List of Parts	15

Copyright, U. S. A., 1938 and 1939
by The Singer Manufacturing Co.
All Rights Reserved for all Countries

INSTRUCTIONS FOR ORDERING

In ordering from this list, use ONLY the PART number in the FIRST column.

The number stamped on a Sewing Machine Part is the number of the Single Part only, except when the part includes Set Screws, Clamping Screws, Studs and Rollers Spun on, Small Wires riveted, or Parts soldered together, etc., which it is necessary to furnish in combination.

Every combination of parts sent out has its specific number which, although not stamped on Parts (except in above case), must be used when ordering the combination.

Each number always indicates the SAME PART in whatever list it appears, or for whatever Machine.

The letters after some of the numbers indicate the style of finish only, as follows:

- A. Hardened, Polished, Nickel Plated and Buffed.
- B. Polished, Nickel Plated and Buffed.
- C. Hardened only.
- D. Polished only.
- E. Soft, not polished.
- F. Hardened and Polished.
- H. Blued.
- J. Nickel Plated only.
- R. Merlized.
- X. Black Oxide.
- XC. Hardened and Black Oxide.
- Y. Blade Nickel only.

These letters MUST BE USED when they appear in the list and AFTER the number, as in the list.

In this series

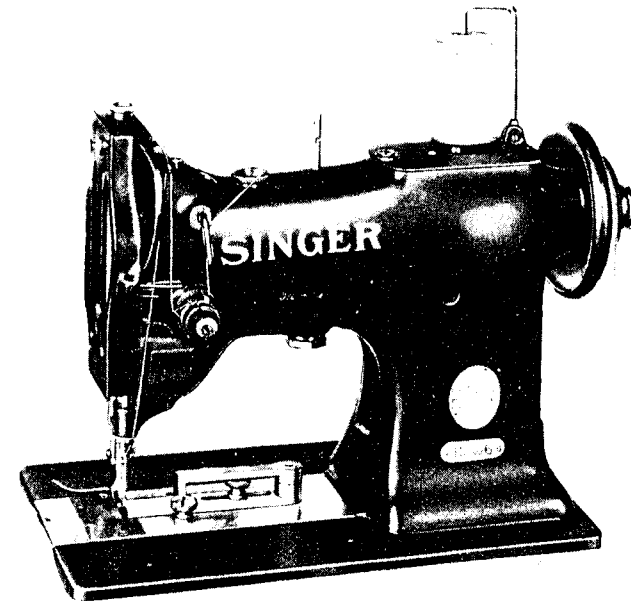
200001 to 201500 and 350001 to 351500 are Screw Numbers.
 201501 to 201800 and 351501 to 351800 are Nut Numbers.
 201801 to 202000 and 351801 to 352000 are Roller Numbers.
 202001 to 350000 are Numbers of Machine Parts.

The figures in the second column refer only to the plate in which the illustration of the part is shown and are TO BE USED in ordering.

Two or more numbers over a cut indicate that the difference between such parts is not visible in an illustration.

Parts marked with an asterisk (*) are furnished when repairs are made at the factory.

LIST OF PARTS COMPLETE FOR



MACHINE No. 151w6

UNISON FEED. BALL BEARING.
 ESPECIALLY ADAPTED FOR STITCHING TWO OR MORE
 PIECES OF MATERIAL OF EVEN LENGTH
 WITHOUT PUCKERING.
 FOR COLLAR OR CUFF WORK.

No.	Plate	Name
*224536	-----	Arm with 202135
224531	16515	" Cap with 244071
244071	16515	" " Oil Wick
200278H	16515	" " Screw
202248	16515	" " " Washer
203089	16515	" " Spool Holder Base
203090	16515	" " " " " " 203089 with 200079H and 204296
200585H	16515	Arm Cap Spool Holder Base Screw
204296	16515	" " " " Wire
200079H	16515	" " " " " Hinge Screw
224532	16515	Arm Cap and Spool Holder complete, Nos. 203090, 224531 and two 200585H

No.	Plate	Name
204235	16516	Arm Position Pin (2)
200010E	16516	" Screw (3)
202005	16516	" Washer (3)
208523	16515	" Shaft
249440	16515	" " Ball Bearing
*240054	16515	" " " " Collar with two 200378C
240055	16515	Arm Shaft Ball Bearing Collar 240054 with 249440
200378C	16515	Arm Shaft Ball Bearing Collar Set Screw
*240056	16515	" " " " Retaining Washer
*240053	16515	" " Bushing (back)
240057	16515	Arm Shaft Bushing (back, ball bearing) complete, Nos. 240053, 240055 and 240056
200338C	16515	Arm Shaft Bushing (back) Set Screw
207080	16515	" " " (front) with 202244
202244	16515	" " " " Oil Packing (wick)
200502B	16515	" " " " " " Thumb Screw
200338C	16515	Arm Shaft Bushing (front) Set Screw
263105	16516	" " Connection Belt
224514	16516	" " " " Pulley with 200327C, 200602E and two 202253
200602E	16516	Arm Shaft Connection Belt Pulley Posi- tion Screw
200327C	16516	Arm Shaft Connection Belt Pulley Set Screw
202253	16516	Arm Shaft Connection Belt Pulley Spring Flange
208573	16515	Arm Shaft Counter Balance with 200335C
200335C	16515	" " " " Set Screw
244063	16515	Balance Wheel (disc) (belt groove 2-1/8 in. diam) with 200328C and 200335C
200328C	16515	Balance Wheel Position Screw
200335C	16515	" " " Set Screw
*224537	-----	Bed with 224517 and three 200582H
202258	16516	" Hinge Connection (2)
200570E	16516	" " " Screw (4)
224538	16522	" Slide (front)
263099	16518	Bobbin
210846	16518	" Case Base
241402	16518	" " Cap with 200592C, 201016F and 263110
241403	16518	Bobbin Case Cap complete, Nos. 200964C, 210736, 210914 and 241402
210913	16518	Bobbin Case Latch
210914	16518	" " " 210913 with 210734 and 210735
210735	16518	Bobbin Case Latch Fulcrum Pin

No.	Plate	Name
210734	16518	Bobbin Case Latch Lever
210736	16518	" " " Spring
200964C	16518	" " " Stop Screw
263145	16523	" " Stop
200136D	16523	" " " Screw
263110	16518	" " Tension Spring
201016F	16518	" " " " Regulating Screw
200592C	16518	" " " " Screw
241404	16518	Bobbin Case complete, Nos. 210846 and 241403
200459D	16522	Cloth Guide Thumb Screw
208535	16522	Face Plate
202135	16522	" " Position Pin
200462B	16522	" " Thumb Screw
208538	16516	Feed Driving Connection (bronze) with 202277
202277	16516	Feed Driving Connection Oil Packing (wick)
208539	16516	Feed Driving Connection Stud (eccentric) with 224530
224530	16516	Feed Driving Connection Stud Oil Packing (wick)
200346C	16516	Feed Driving Connection Stud Set Screw
208331	16516	" " Eccentric Regulating Bracket
224515	16516	" " " " " "
		208331 with 224514, two each 201014C and 201525E
201014C	16516	Feed Driving Eccentric Regulating Brack- et Hinge Screw
201525E	16516	Feed Driving Eccentric Regulating Brack- et Hinge Screw Nut
202301	16516	Feed Driving Eccentric Regulating Brack- et Plunger
202595	16516	Feed Driving Eccentric Regulating Brack- et Plunger Spring
200607C	16516	Feed Driving Eccentric Regulating Brack- et Plunger Spring Stop Screw
201014C	16516	Feed Driving Eccentric Regulating Brack- et Stop Screw
201525E	16516	Feed Driving Eccentric Regulating Brack- et Stop Screw Nut
200429C	16516	Feed Driving Eccentric Regulating Screw
200383C	16516	" " " " " "
		Check Screw
208540	16515	Feed Regulating Spindle with 202311, 202443 and 202619
*202311	-----	Feed Regulating Spindle Head
202443	16515	" " " " Pin
202619	16515	" " " " Position Pin
224694	16522	Guide

No.	Plate	Name
224695	16522	Guide Base Plate
200577XC	16522	" " " Screw
224696	16522	" Bracket
200460B	16522	" " Thumb Screw
201059C	16522	" Hinge Screw
224697	16522	Guide complete, for collar and cuff work, Nos. 200460B, 201059C and 224694 to 224696
263140	16518	Hook with 263134 and two 462C
263141	16518	" 263140 with 200145C, 200614C, 263034, 263122 and two 200596F
263147	16518	Hook and Bobbin Case complete, Nos. 241404 and 263141
263122	16518	Hook Gib
200614C	16518	" " Hinge Screw
200596F	16518	" " Screw
263134	16518	" Oiling Felt
462C	16518	" Set Screw
224539	16517	" Shaft with 263139
263029	16517	" " Ball Bearing
*263030	16517	" " " " Collar with two 200383C
263031	16517	Hook Shaft Ball Bearing Collar 263030 with 263029
200383C	16517	Hook Shaft Ball Bearing Collar Set Screw
263032	16517	" " " " Retainer
200098E	16517	" " " " " Screw (3)
263146	16517	" " Bushing (front) with 202423
202423	16517	" " " " Oil Packing (wick)
200346C	16517	Hook Shaft Bushing (front) Set Screw
263033	16517	" " Connection Belt Pulley with 202324 and two 201018C
201018C	16517	Hook Shaft Connection Belt Pulley Set Screw
202324	16517	Hook Shaft Connection Belt Pulley Spring Flange
202260	16517	Hook Shaft Oil Packing (wick)
263139	16517	" " " Wick
263034	16518	" Washer Needle Guard
200145C	16518	" " " " Screw
224512	16522	Knee Lifter Connection Lever
208543	16522	" " " " 224512 with 208544, 208592 and two 200262H
200262H	16522	Knee Lifter Connection Lever Hinge Screw
208592	16522	" " " " Lifting Rod with 202302
202302	16522	Knee Lifter Connection Lever Lifting Rod Cotter Pin
208544	16522	Knee Lifter Lifting Lever

No.	Plate	Name
200262H	16522	Knee Lifter Lifting Lever Hinge Screw
208545	16519	Lifting Bell Crank
208546	16519	" " " Driving Crank
208547	16519	" " " " " Link
202277	16519	" " " " " Oil Pack- ing (wick)
201012C	16519	Lifting Bell Crank Driving Crank Posi- tion Screw
200374C	16519	Lifting Bell Crank Driving Crank Set Screw
200996C	16519	Lifting Bell Crank Stop Screw
224698	16523	" Presser Foot
200074F	16520	" " " Screw
208526	16519	Needle Bar with 200141F
224540	16516	" " and Needle Plate Carrier Frame with 200346C, 200997C and 208550
224517	16516	Needle Bar and Needle Plate Carrier Frame Hinge Bearing
200582H	16516	Needle Bar and Needle Plate Carrier Frame Hinge Bearing Screw
350401C	16516	Needle Bar and Needle Plate Carrier Frame Hinge Screw
200998C	16516	Needle Bar and Needle Plate Carrier Frame Hinge Screw Stud
208550	16516	Needle Bar and Needle Plate Carrier Frame Hinge Screw Stud Bushing (split)
200997C	16516	Needle Bar and Needle Plate Carrier Frame Hinge Screw Stud Bushing Posi- tion Screw
202277	16516	Needle Bar and Needle Plate Carrier Frame Hinge Screw Stud Oil Packing (wick)
206758	16516	Needle Bar and Needle Plate Carrier Frame Oil Wick (2)
224535	16516	Needle Bar and Needle Plate Carrier Frame Oil Wick Retainer (2)
208551	16519	Needle Bar Connecting Link
208552	16519	" " " Stud with 200086C and 202330
202330	16519	Needle Bar Connecting Stud Oil Packing (wick)
200086C	16519	Needle Bar Connecting Stud Pinch Screw
208553	16519	" " Crank with 200335C, 200374C, 200428C and 201012C
224534	16519	Needle Bar Crank 208553 with 200996C, 202400, 208545 to 208547, 208551, 208552, 208555, 208557, 208562, 208563 and 241549
203172	16519	Needle Bar Crank Friction Washer

No.	Plate	Name
200428C	16519	Needle Bar Crank Position Screw
200335C	16519	" " " Set Screw
224541	16519	" " Oil Pad (felt)
200132E	16519	" " " " Screw
208536	16523	" Plate, 53 needle hole, for needle sizes 12 and 13
201387F	16523	Needle Plate Screw
208537	16516	" " Slide Plate (adjustable)
200054C	16516	" " " " Screw (2)
202101	16516	" " " " Washer (2)
200141F	16519	" Set Screw
224527	16517	Oil Leader (brass) (for back hook shaft bearing)
208566	16520	Presser Bar with 200074F
208567	16520	" " Bushing
200352C	16520	" " " Set Screw
202339	16520	" " Lifter
200653C	16520	" " Hinge Screw
208555	16519	" " Lifting Bracket with 200054E
200975F	16520	" " " " Guide Screw
200054E	16519	" " " " Pinch Screw
208556	16520	" " Spring
200494B	16520	" " Thumb Screw (pressure regulating)
200475B	16520	Presser Bar Thumb Screw Thumb Set Screw
202355	16520	" " " " " " " "
		Packing (brass)
202397	16519	Take-up (auxiliary)
200842E	16519	" " " Screw
241549	16519	" Lever
208557	16519	" " Driving Stud with 202277
202277	16519	" " " " Oil Packing (wick)
202400	16519	" " Hinge Stud with 202423
202423	16519	" " " " Oil Packing (wick)
200383C	16519	" " " " Set Screw
208558	16519	" " Oil Guard with 223655 and 224572
200161H	16519	Take-up Lever Oil Guard Screw
208568	16520	" " " Leader
202254	16520	" " " " Packing (wick)
223655	16519	" " Oiling Felt
224572	16519	" " " " Rivet
244048	16521	Tension Disc (back)
244049	16521	" " (front)
202404	16520	" Release Plunger
233629	16520	" " Slide
208560	16520	" " " Spring
202405	16521	" " Washer
202407	16521	" Spring
263106	16521	" " Washer

No.	Plate	Name
200625F	16521	Tension Stud with 204925
200061C	16521	" " Set Screw
204925	16521	" " Washer
201572B	16521	" Thumb Nut
263107	16521	Tension complete, Nos. 200625F, 201572B, 202405, 202407, 202410, 244048, 244049 and 263106
202410	16521	Thread Controller Spring
202411	16521	" " " Stop
200132E	16521	" " " " Screw
208574	16521	" Guide
202412	16515	" "
202415	16521	" "
200582H	16521	" " Screw
200397H	16521	" " Set Screw
240034	16521	" Retainer
200397H	16521	" " Set Screw
224543	16521	Throat Plate with 263145 and two 200136D
200577XC	16523	" " Screw (2)
208562	16519	Vibrating Presser Bar
208563	16519	" " " Connecting Link
202277	16519	" " " Oil Packing (wick)
224699	16523	" " Foot with 201015F
201015F	16523	" " " Pinch Screw

Genuine Singer Needles should be used
in Singer Machines.
These Needles and their Containers
are marked with the
Company's Trade Mark "SIMANCO." 1

Needles in Containers marked
"For Singer Machines"
are not Singer made needles. 2

ACCESSORIES

No.	Plate	Name
200157B	16522	Attachment Screw
263099	16518	Bobbin (5)
*225482	-----	" Case Screw Driver Blade
*225483	-----	" " " " Handle
225497	16524	Bobbin Case Screw Driver complete, Nos. 225482 and 225483
231337	16524	Cloth Guide
224500	16523	Lifting Presser Foot
135 x 21	16519	Needles, three each, sizes 12 and 14
224700	16523	Vibrating Presser Foot with 201015F
228220	16525	Drip Pan with four 1 in. wire nails
120342	16524	Oiler with 120343
120343	16524	" Spout, 3-1/2 in. long
*225484	-----	Screw Driver Blade
*225485	-----	" " Handle
225498	16524	Screw Driver complete (7-1/4 in. long) Nos. 225484 and 225485
225554	16524	Wrench (steel)

BOBBIN WINDER

(SWINGING AUTOMATIC, RIGHT HAND)

225453	17619	Frame with 202277 and 225438
225454	17619	" Hinge Pin
202277	17619	" Oil Packing (wick)
225438	17619	" " Well Cap
225455	17619	" Spring
225456	17619	" " Plunger
202473	17619	Pulley with 200380C
200380C	17619	" Set Screw
225381	17619	Spindle
225444	17619	Stop Latch
200056E	17619	" " Screw
225458	17619	" " Thumb Lever
225459	17619	" " " " Hinge Stud
225459	17619	" " " " Joint Stud
202478	17619	" " Trip Lever
200299H	17619	" " " " Hinge Screw
225461	17619	Tension Bracket with 201499B

No.	Plate	Name
200082D	17619	Tension Bracket Screw
228026	17619	" " " Washer
2102	17619	" Disc
202407	17619	" Spring
201499B	17619	" Stud
201572B	17619	" " Thumb Nut
225462	17619	Bobbin Winder Tension Bracket complete, Nos. 201572B, 202407, 225461 and two 2102
225433	17619	Bobbin Winder and Tension Bracket Base
225382	17619	Universal Bobbin Winder complete, Nos. 200056E, 200082D, 200299H, 202473, 202478, 225381, 225433, 225444, 225453 to 225456, 225458, 225462, 228026, two each 225459 and wood screws 3/4 in. No. 12, R.H.B.

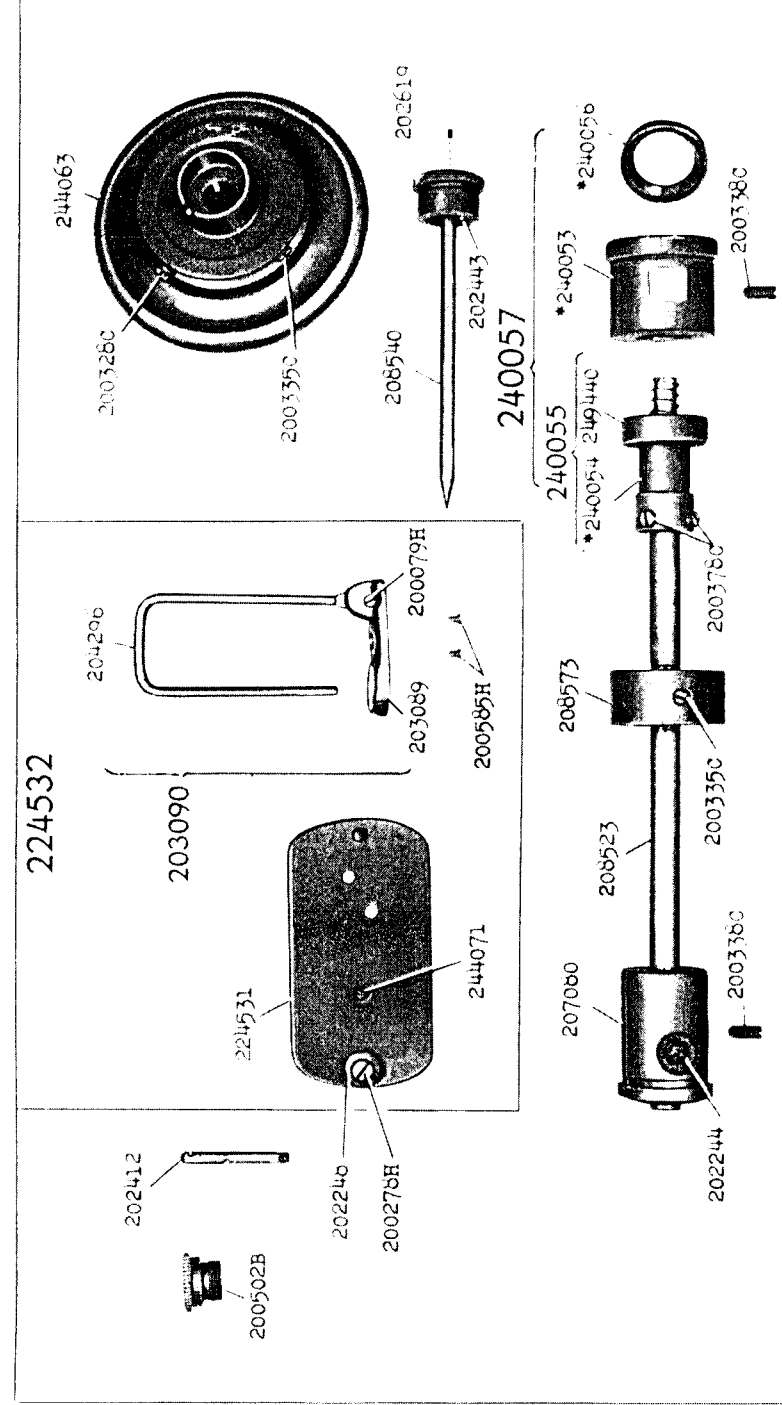
KNEE LIFTER

228294	16525	Rock Lever with two 356C
228295	16525	" " Bracket with 356C and four wood screws 7/8 in. No. 12
228299	16525	Rock Lever Bracket 228295 with 228294 and 228297
228296	16525	Rock Lever Extension with 200529C
356C	16525	" " " " Set Screw
228297	16525	" " Hinge Pin
356C	16525	" " " " Set Screw
202455	16525	" " Knee Arm
356C	16525	" " " " Set Screw
228284	16525	" " " " Plate with 356C
356C	16525	" " " " Set Screw
227728	16525	" " Rod 3 in. long with 227729
*227729	-----	" " " " Cap
200529C	16525	" " " " Set Screw
228298	16525	Knee Lifter Rock Lever complete, Nos. 202455, 227728, 228284, 228296 and 228299

(Other Knee Lifter parts are listed with parts
of Machine Head.)

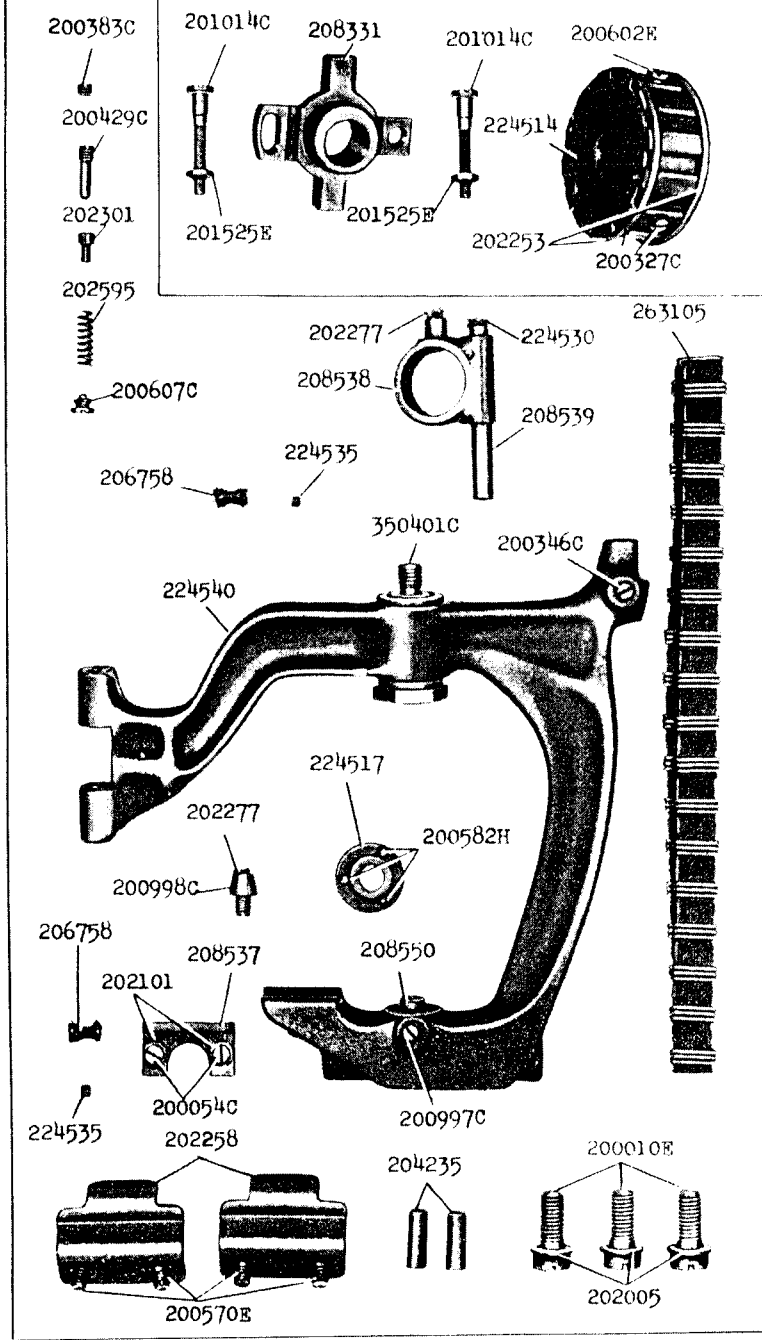
Genuine Singer Needles should be used
in Singer Machines.
These Needles and their Containers
are marked with the
Company's Trade Mark "SIMANCO." 1

Needles in Containers marked
"For Singer Machines"
are not Singer made needles. 2

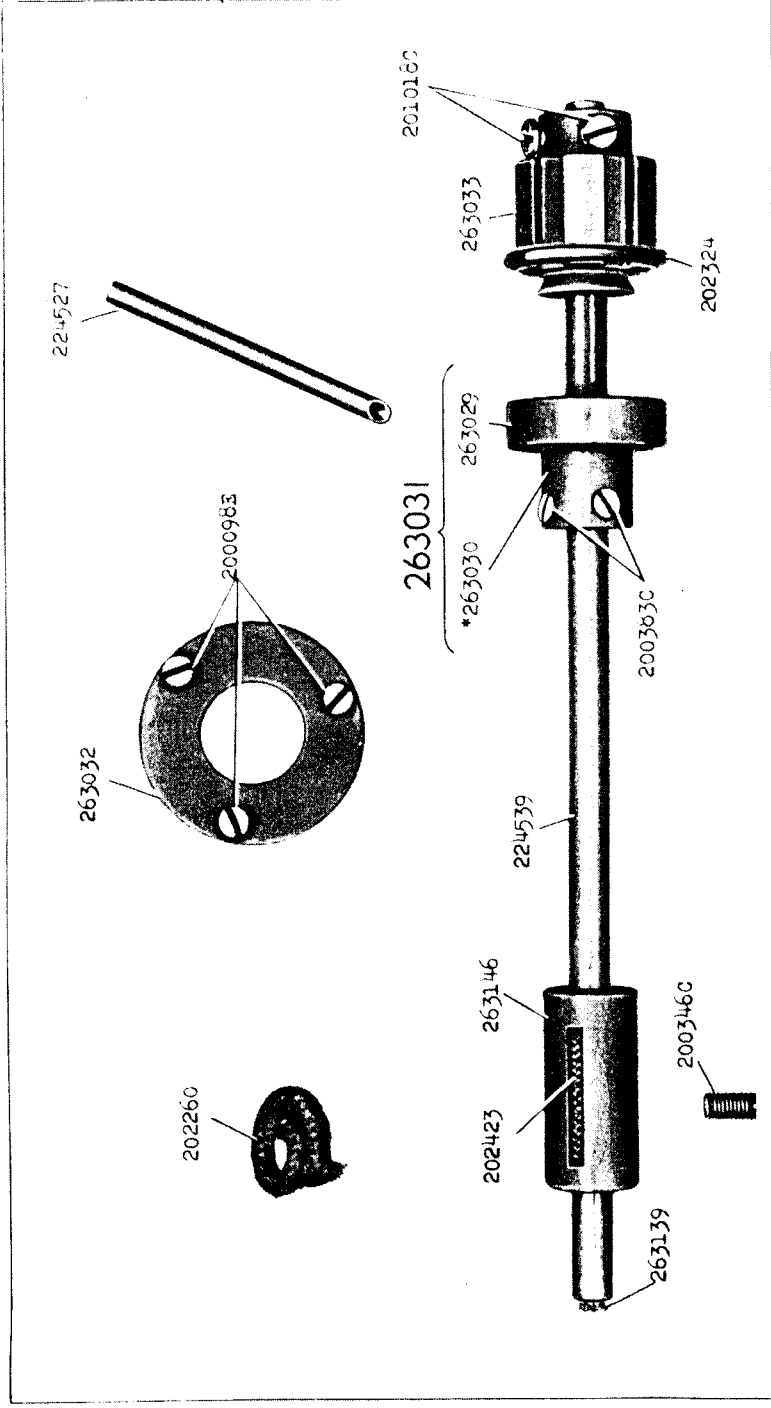


16516 - 3/8

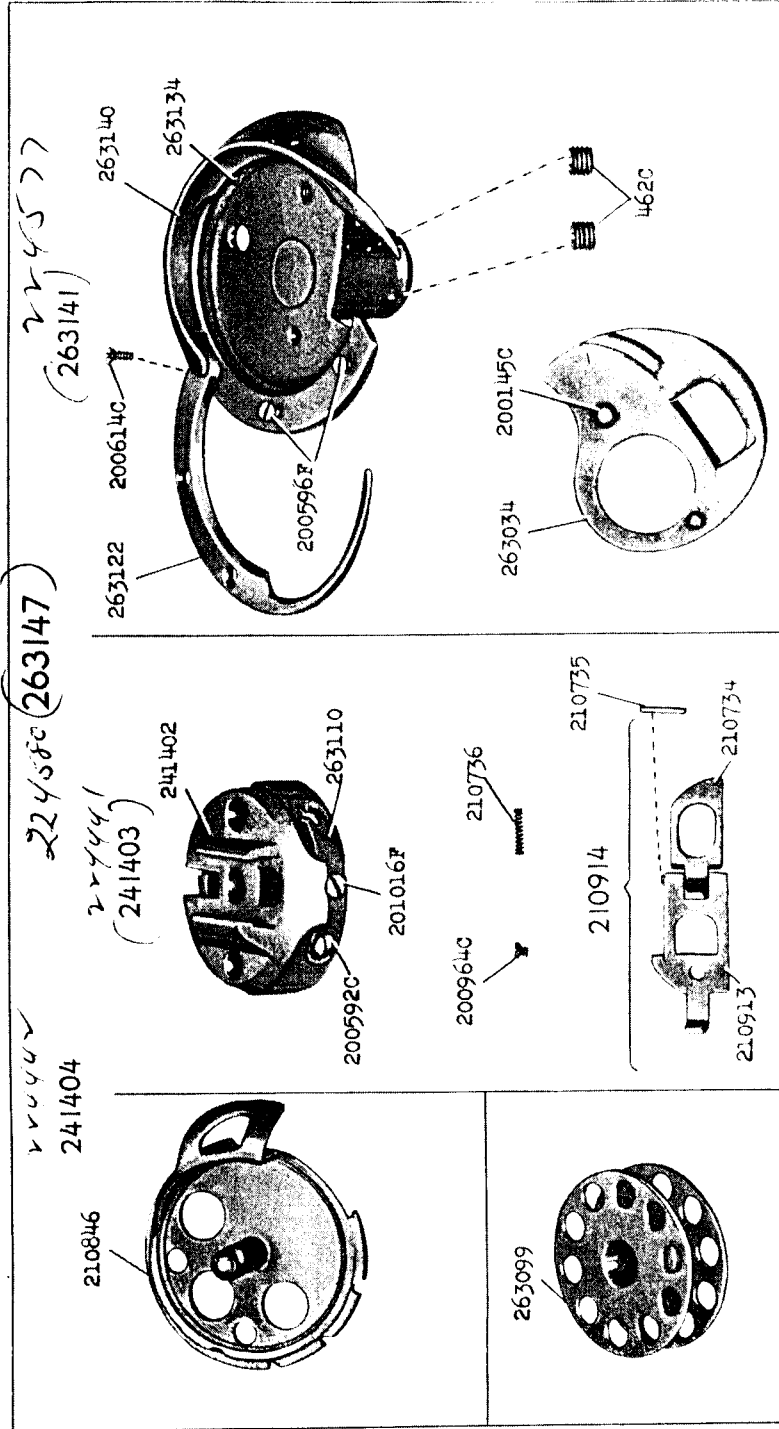
224515



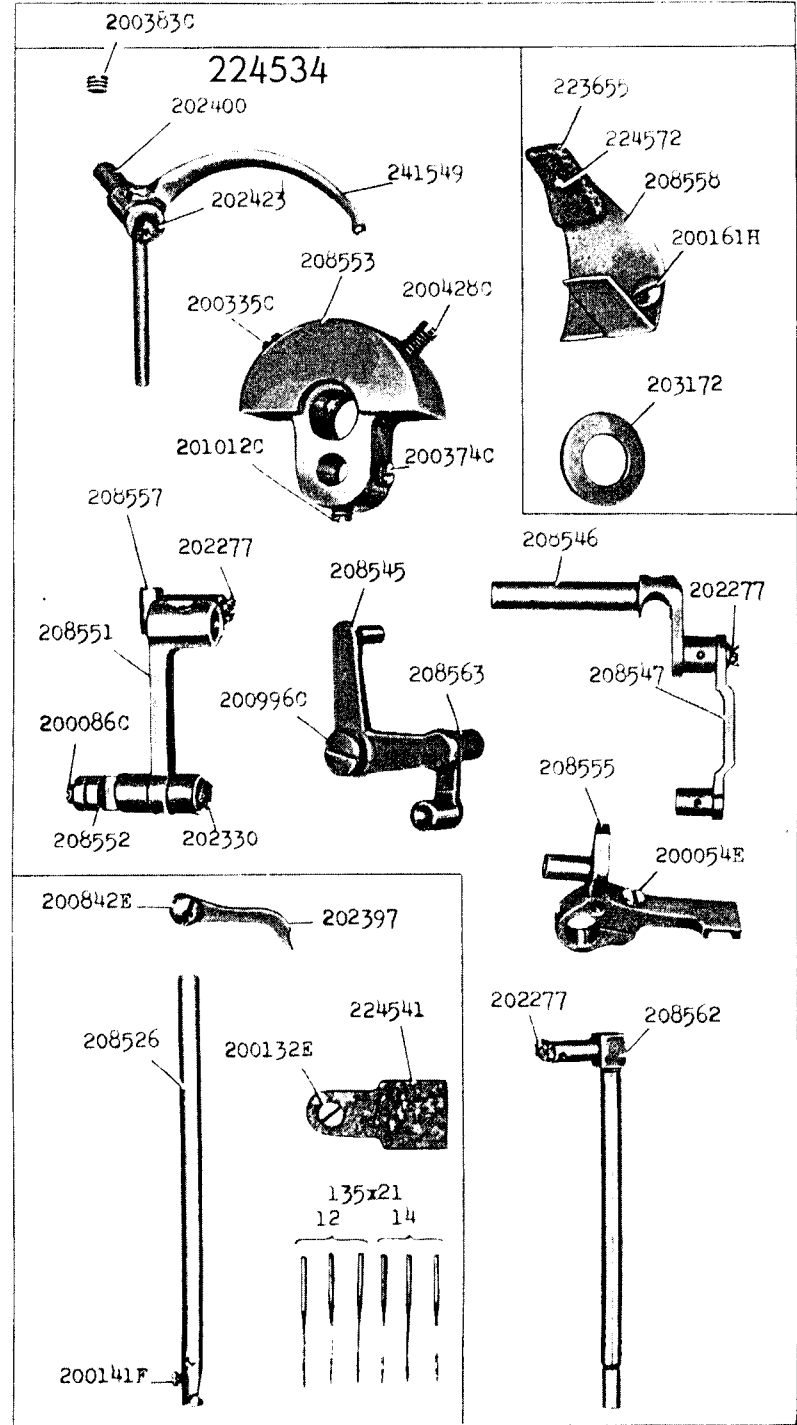
16517 - 2/3



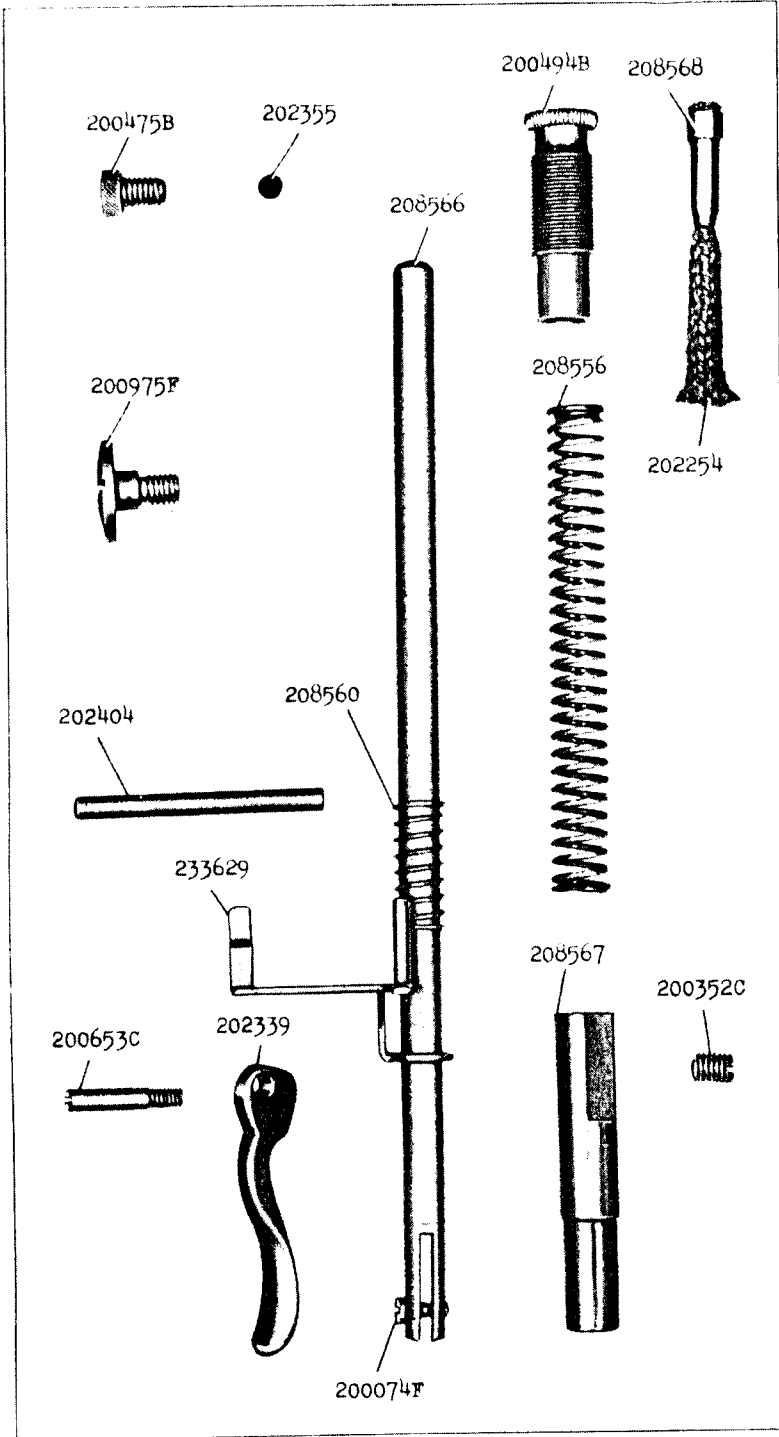
16518



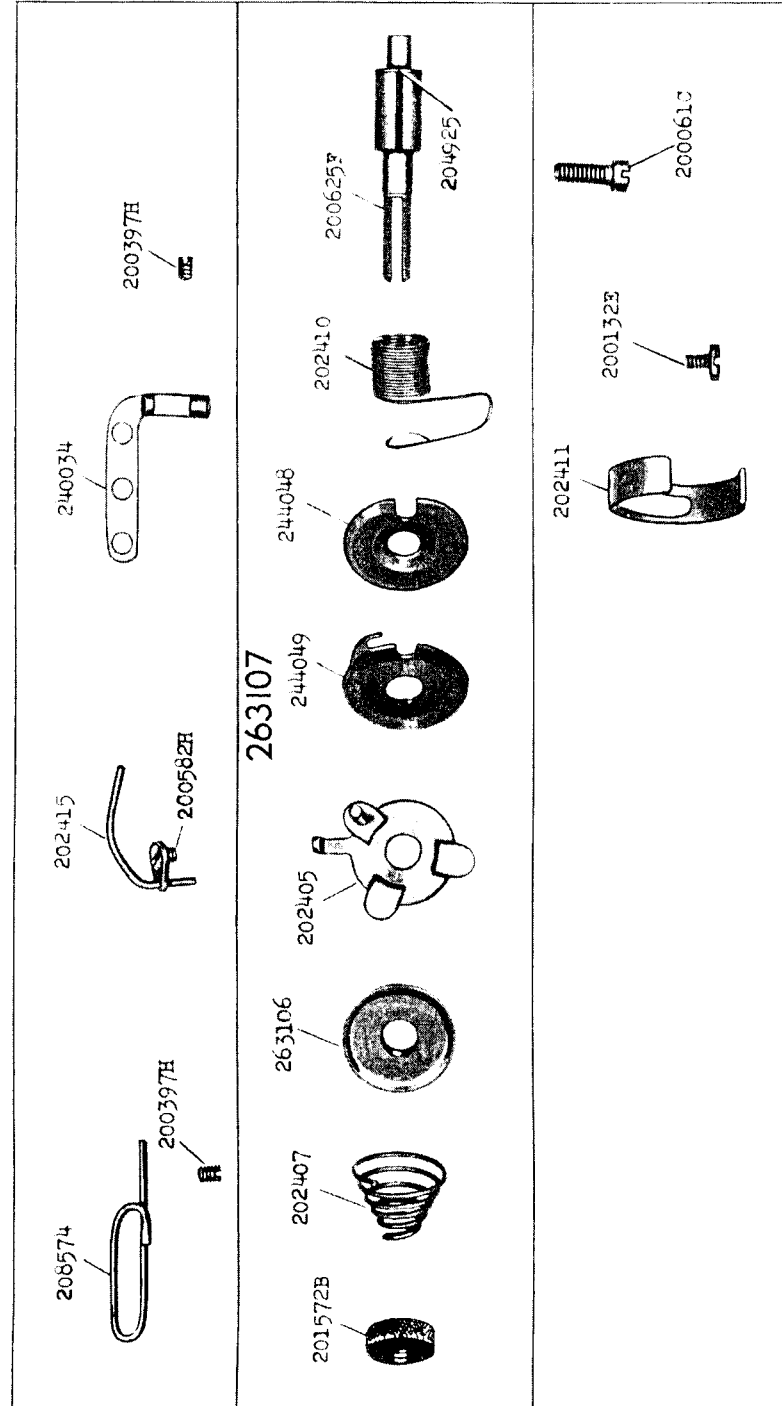
16519 - 1/2

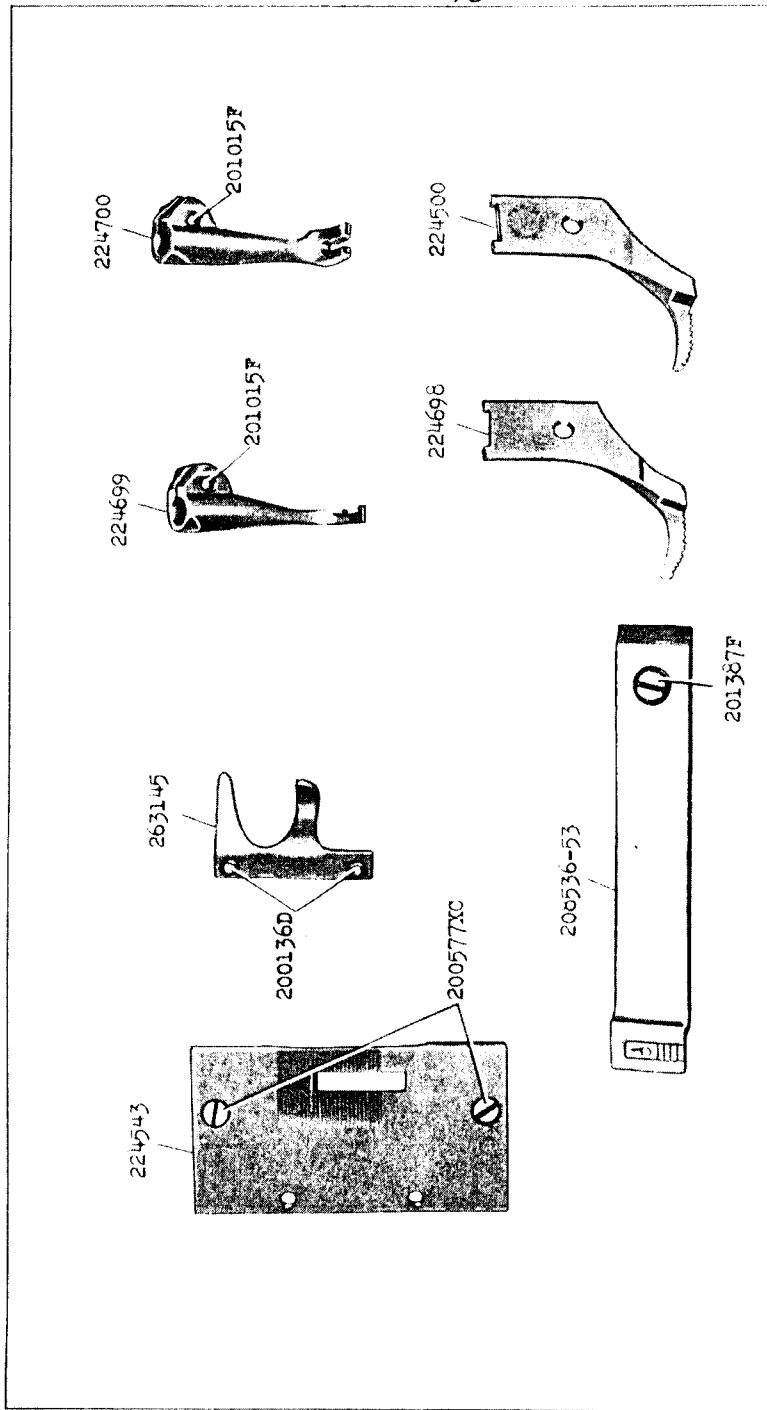
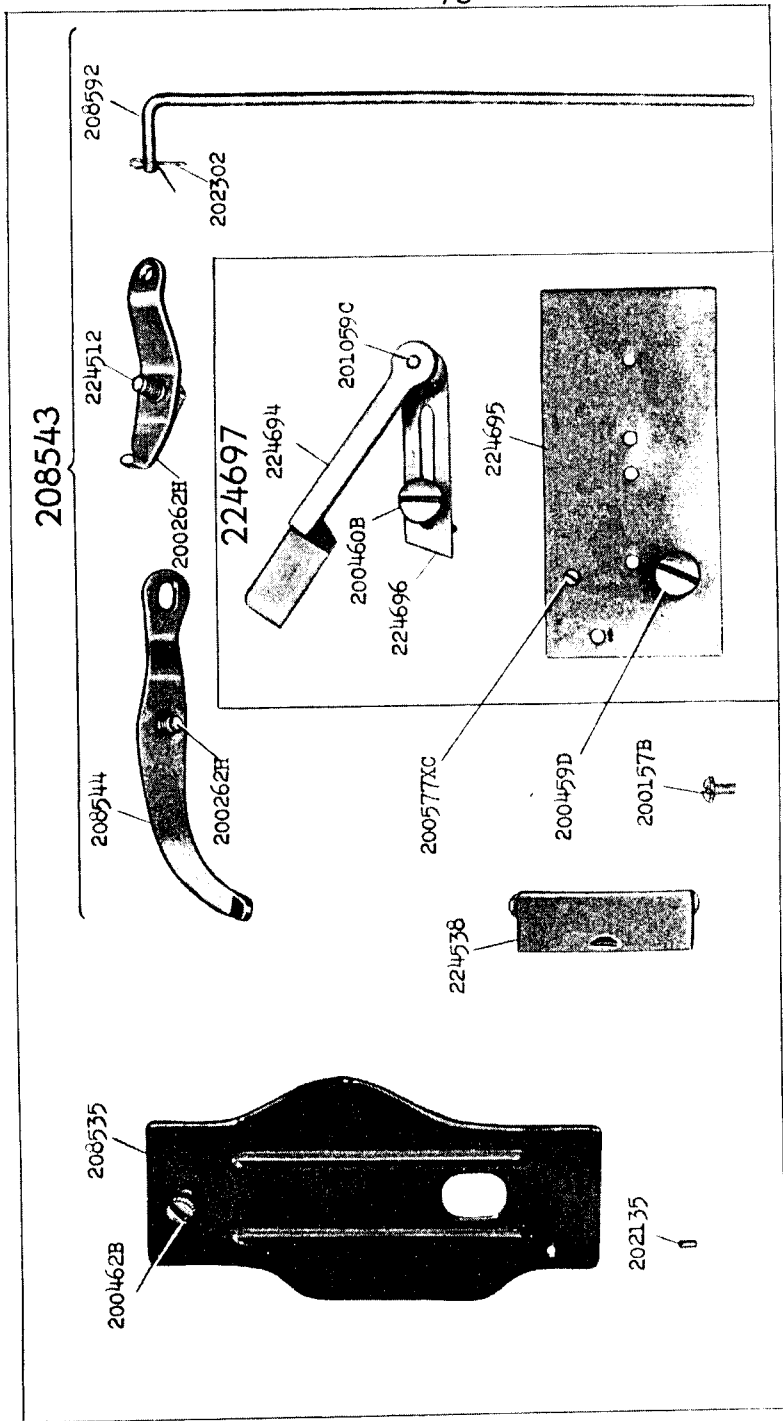


16520 - 2/3

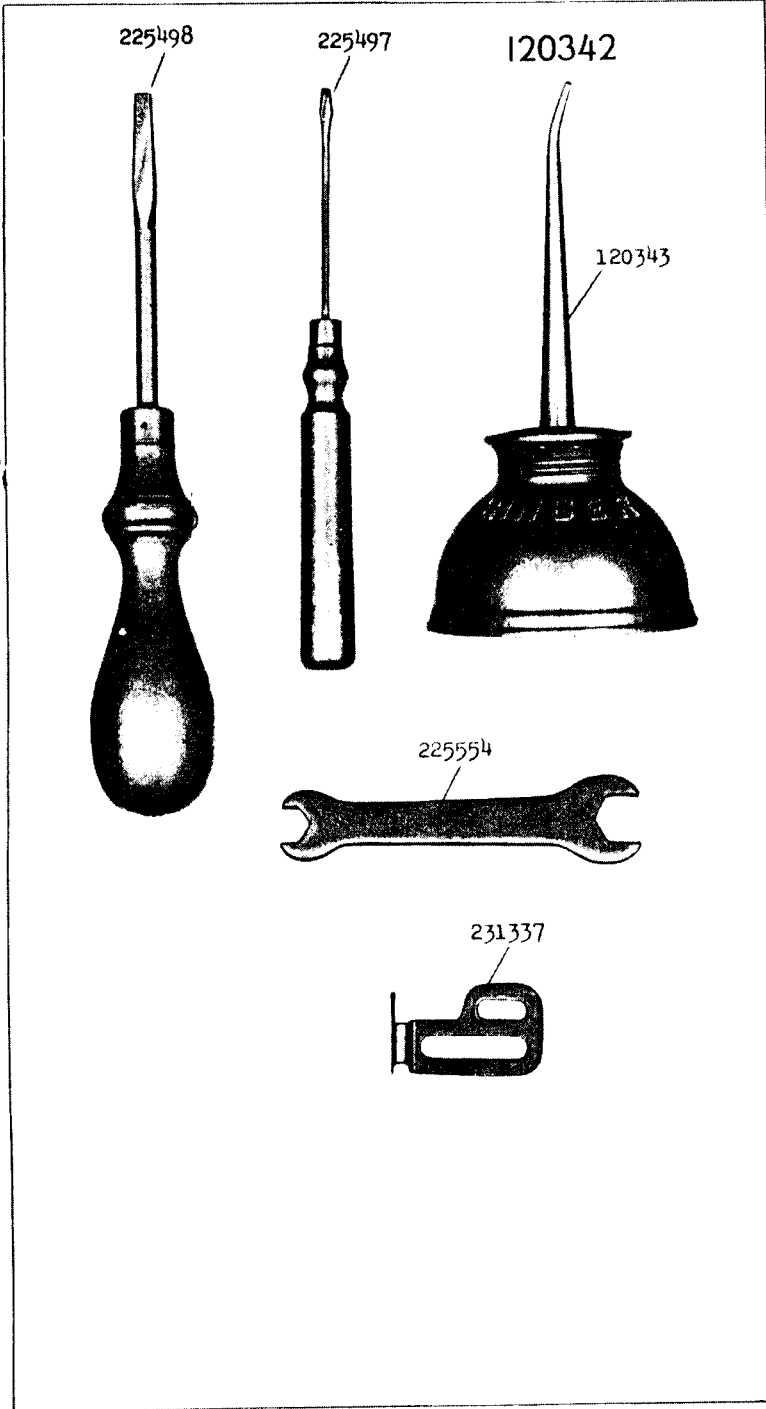


16521 - 3/4

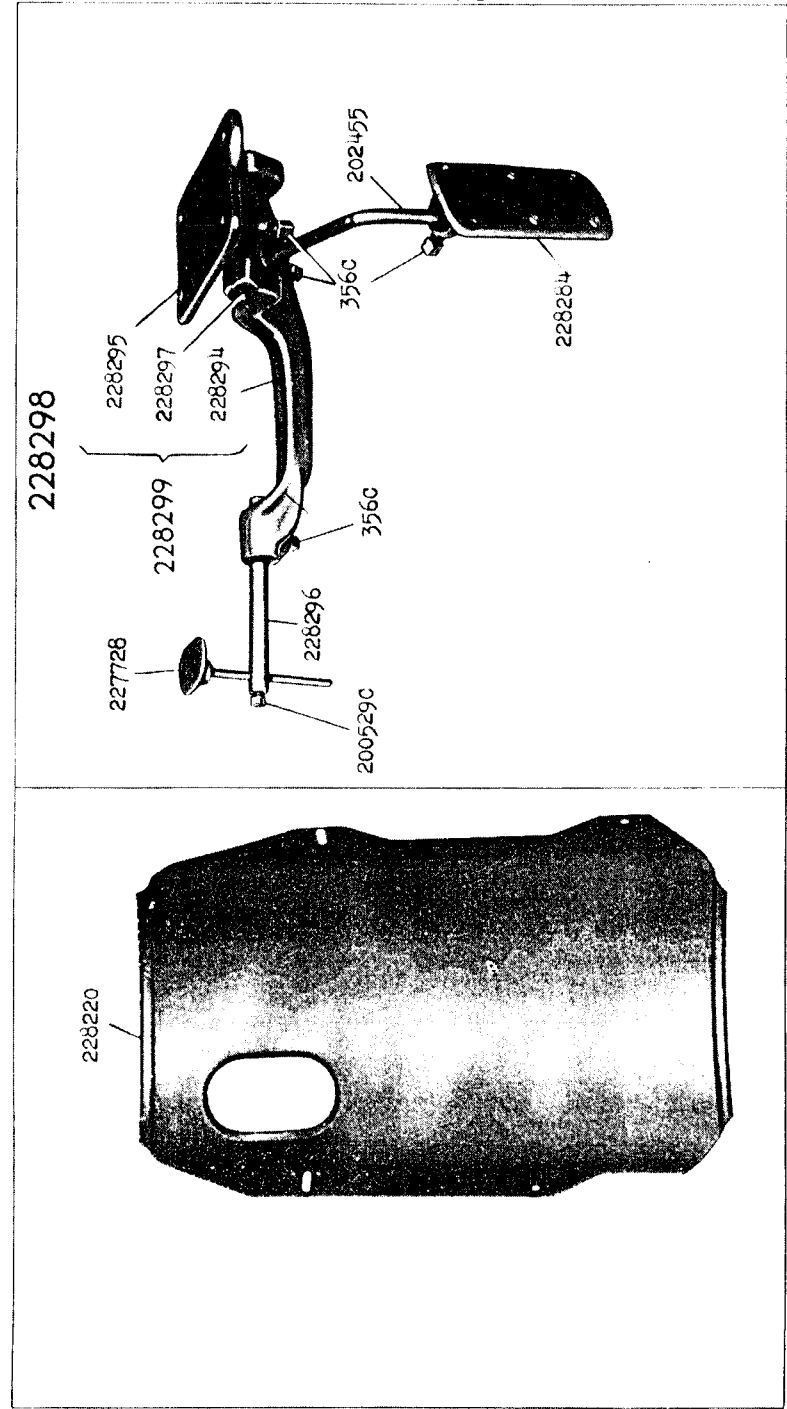




16524 - 1/2



16525 - 1/4



17619 - 1/3

225382

225462

